

www.hazalguvenlik.net



Electromechanic Tyre Killer

Data Sheet

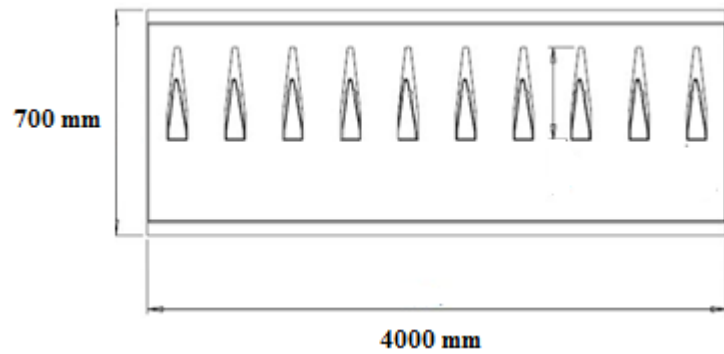
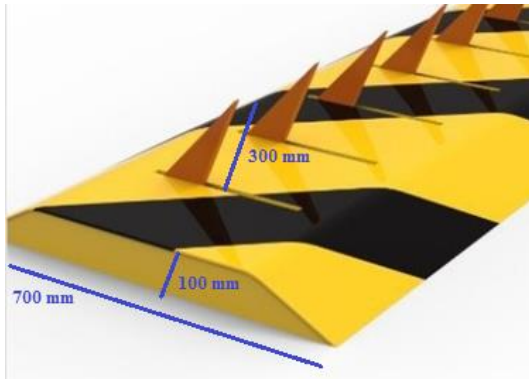
www.hazalguvenlik.net

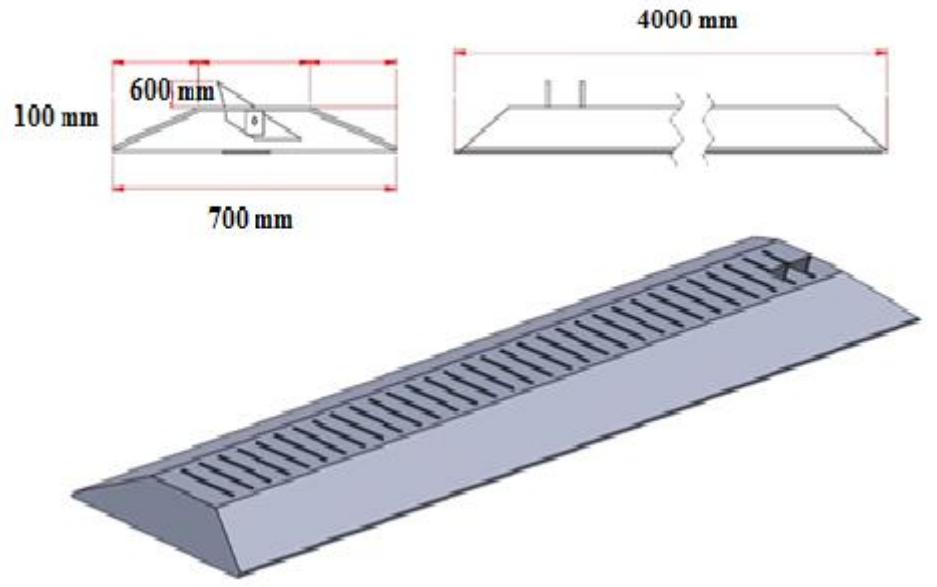
Electromechanic Tyre Killer



ELECTROMECHANIC TYRE KILLER

Length	4000 mm
Weight (approximately)	250 kg
Axle load	22 tons
Electro Motor power	230 / 550 Watt – 24 Volt
Tooth Height	30 mm
Depth	10 mm
Most	700 mm
Top Sheet	10 mm ST Quality 37 minimum
Manual	Teeth With Closing Down Lock
Color	Yellow - Black
Quality Documents	CE - ISO - OHSAS and TSE
Güvenlik	Loop Sensor





www.hazalguvenlik.net



Tif : + 90 312 478 2028 – + 90 312 482 0484

www.hazalguvenlik.net - info@hazalguvenlik.net

www.hazalguvenlik.net